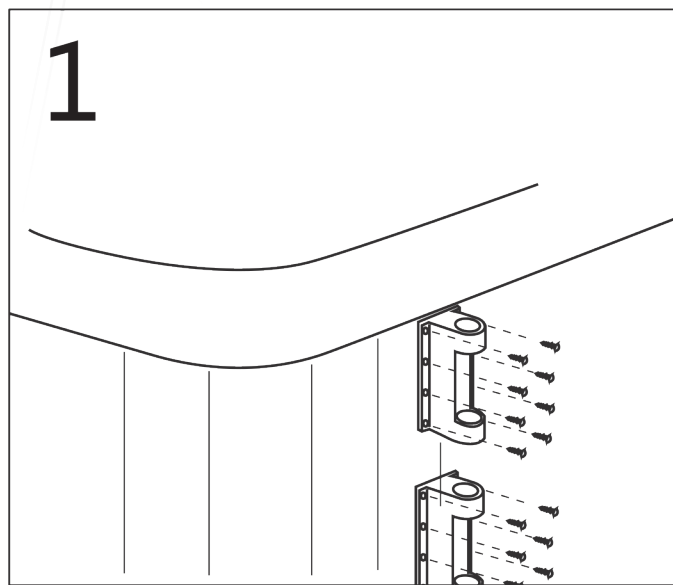




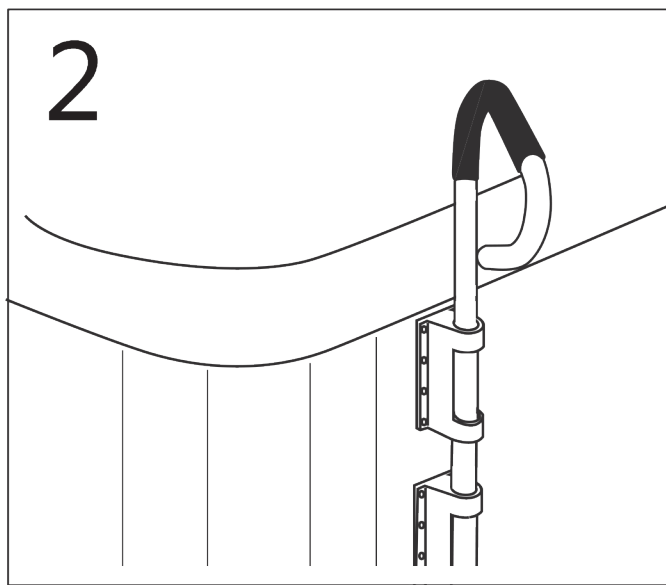
landskap.®

OF SWEDEN

Spabadsräcke



1. Innan ni skruvar fast skyddsräcket, montera ihop de två delarna, skruva sedan fast täckbrickorna i sidopanelen.



2. Placera sedan räcket i hållarna, och montera cylindern underst.



Copyright ©2019 Bygghemma Sverige AB. Original content rights reserved. All product names, logos, and brands are property of their respective owners.



Information contained within this document was considered accurate at the time of publication, but may be subject to revision.

im-accessory-a
v1905a